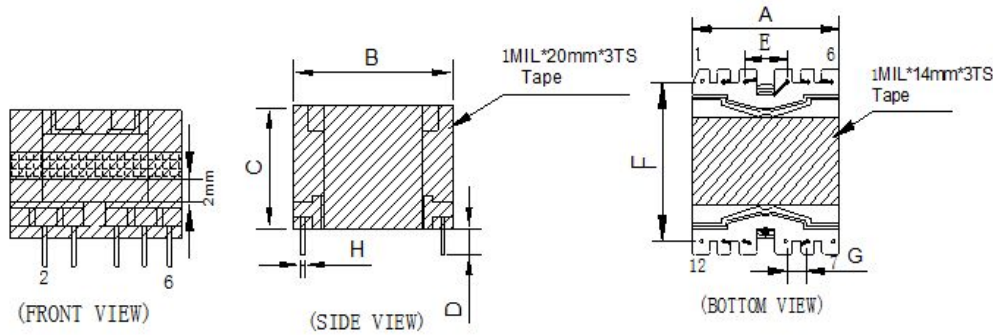


CUSTOMER TERMINAL	ROHS	Lead(Pb)-free
	YES	YES

1. Mechanical Dimensions



A	34.0	MAX
B	35.0	MAX
C	22.0	MAX
D	3.8	±0.5
E	7.4	±0.2
F	30.0	±0.3
G	5.0	±0.2
H	0.75	±0.1

3. Material List

Core:FW44 PQ3220

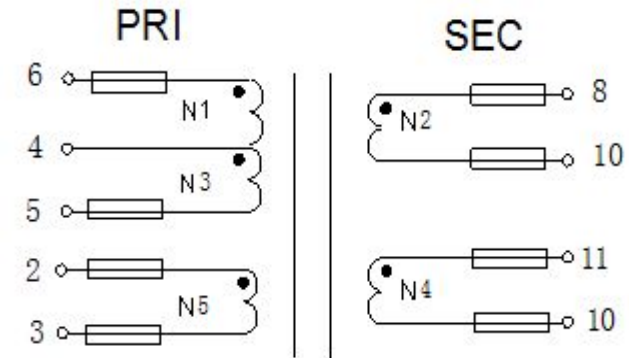
Bobbin:FWB3201-1(6+6PIN)

Wire: TIW LITZ 2UEW

Copper foil:0.025t*5.0mm

Operating Temperature: -30 to115 °C

2. Schematic Diagram



4. Electrical Specification

Inductance : $L(6-5):0.85mH \pm 5\%$ 40KHZ , 1.0V

Leakage Inductance : 10uH MAX 40KHZ , 1.0V

DCR : (6-5)=0.387Ω MAX

Hi-Pot:P-S: AC 60Hz 4000V 2mA 3S

REV.	DATE	<p>Convention Placement</p>	DRW.		Drawing Title:	Part No:
0	00/00		CHK.			
ROHS			www.ferriwo.com	APP.		Customer P/N